



PRODUCT OVERVIEW  
ROOF DRAINAGE

**zAmbelli**

SIMPLY MASTERING RAINWATER



Outside Corner



Inside Corner



Expansion Roll



Gutter Expansion



Corner with side length 500 mm



Corner with side length 500 mm



Box Gutter Expansion



1 Head Expansion



Outside Corner, box shaped



Inside Corner, box-shaped



KG-Pipe Cover



Gutter

**Corner** outside corner 90°, half-round, seamless deep-drawn, stabilization through fixed bead, continuous water bend, connection duct

500/500	__	4402	13																
400/340	__	4400	11	13	18*	12						17	15						
333/300	__	4405	11	13	18	23	12	14			21	17	15						
280/300	__	4410	11	13	18	23	12	14			21	17	15						
250/300	__	4415	11	13	18	23	12				21	17	15						
200/250	__	4420	11	13	18		12						15						

\* These articles are not made of pipe but welded or seamed.

**Corner** inside corner 90°, half-round, seamless deep-drawn, connection duct

400/340	__	4800	11	13	18*	12						17	15						
333/300	__	4805	11	13	18	23	12	14			21	17	15						
280/300	__	4810	11	13	18	23	12	14			21	17	15						
250/300	__	4815	11	13	18	23	12				21	17	15						
200/250	__	4820	11	13	18		12						15						

\* These articles are not made of pipe but welded or seamed.

**Corner** outside corner 90°, half-round, seamless deep-drawn, side length 500 mm

333/500	__	4505	11	13															
---------	----	------	----	----	--	--	--	--	--	--	--	--	--	--	--	--	--	--	--

**Corner** inside corner 90°, half-round, seamless deep-drawn, side length 500 mm

333/500	__	4905	11	13															
---------	----	------	----	----	--	--	--	--	--	--	--	--	--	--	--	--	--	--	--

**Corner** outside corner 90°, box-shaped, seamless deep-drawn (280 and 400 mm two-piece)

400/300	__	5200	11*	13*	18*	12*						17*	15*						
333/300	__	5205	11	13	18*	12						17*	15						
280/300	__	5210	11*	13*		12*						17*	15*						
250/300	__	5215	11	13	18*	12						17*	15						
200/250	__	5220	11	13	18*	12							15						

\* These articles are not made of pipe but welded or seamed.

**Corner** inside corner 90°, box-shaped, seamless deep-drawn (280 and 400 mm two-piece)

400/300	__	5600	11*	13*	18*	12*						17*	15*						
333/300	__	5605	11	13	18*	12						17*	15						
280/300	__	5610	11*	13*		12*							15*						
250/300	__	5615	11	13	18*	12						17*	15						
200/250	__	5620	11	13	18*	12							15						

\* These articles are not made of pipe but welded or seamed.

**Gutter** one side neoprene vulcanized, width 26 cm, price per meter

333	__	4133	11	13					12	14									
280	__	4128	11	13					12	14									

**Expansion Roll** one side neoprene vulcanized, width 26 cm, price per meter

6000 mm	__	5906	11	13					12									15	
3000 mm	__	5903	11	13					12									17	15

**Gutter Expansion** half-round, one side neoprene vulcanized, with safety cover, width 26 cm

500	__	4702	13																
400	__	4700	11	13	18				12				17	15					
333	__	4705	11	13	18				12				17	15					
280	__	4710	11	13					12										
250	__	4715	11	13															

**Box Gutter Expansion** box-shaped, one side neoprene vulcanized, with safety cover, width 26 cm

400	__	5700	11	13	18								17	15					
333	__	5705	11	13	18								17	15					
250	__	5715	11	13															

**1 Head Expansion** one side neoprene vulcanized, with safety cover, width 36 cm

800 mm	__	5985	11	13															
700 mm	__	5970	11	13															

**KG-Pipe Cover** for optical covering of the KG-pipe (approx. 8 cm cover)

100/132	__	6950	11	13															
---------	----	------	----	----	--	--	--	--	--	--	--	--	--	--	--	--	--	--	--



Stop End



Stop End (large Version)



Stop End for simple push-on installation



Universal Stop End



Stop End



Quarter Ball Stop End



Box Stop End



Stop End right



Stop End left



Stop End right



Stop End left

**Stop End** half-round, for seaming (both sides)

400	__ 6000	11	13	18	23	12	17	15
333	__ 6005	11	13	18	23	12	17	15
280	__ 6010	11	13	18	23	12	17	15
250	__ 6015	11	13	18	23	12	17	15
200	__ 6020	11	13					

**Stop End** large version, half-round, for horizontal gutter installation, for seaming (both sides)

400	__ 6001	11	13	12				
333	__ 6006	11	13	12	14		17	15
280	__ 6011	11	13	12	14		17	15
250	__ 6016	11	13	12			17	

**Stop End** half-round, for pushing on and soldering (both sides)

333	__ 6070	11	13					
-----	---------	----	----	--	--	--	--	--

**Stop End** half-round, for soldering, right

500	__ 6100	11	13					
400	__ 6101	11	13					
333	__ 6105	11	13	18	23			
280	__ 6110	11	13					
250	__ 6115	11	13					
200	__ 6120	11	13					

**Stop End** half-round, for soldering, left

500	__ 6200	11	13					
400	__ 6201	11	13					
333	__ 6205	11	13	18	23			
280	__ 6210	11	13					
250	__ 6215	11	13					
200	__ 6220	11	13					

**Stop End** half-round, for pushing on and soldering, right

400	__ 6150	11	13					
333	__ 6155	11	13					
280	__ 6160	11	13					
250	__ 6165	11	13					
200	__ 6170	11	13					

**Stop End** half-round, for pushing on and soldering, left

400	__ 6250	11	13					
333	__ 6255	11	13					
280	__ 6260	11	13					
250	__ 6265	11	13					
200	__ 6270	11	13					

**Stop End** half-round, with rubber sealing, for simple push-on installation

333	__ 6705	11	13	12	14		15
280	__ 6710	11	13	12	14		15
250	__ 6715	11	13	12			15

**Universal Stop End** half-round, for soldering or glueing

333	__ 6750						21
280	__ 6755						21

**Quarter Ball Stop End** half-round, for soldering

400	__ 6300	11	13					
333	__ 6305	11	13					
280	__ 6310	11	13					
250	__ 6315	11	13					
200	__ 6320	11	13					

**Box Stop End** for seaming (both sides)

400	__ 6400	11	13	18	12		17	15
333	__ 6405	11	13	18	12		17	15
280	__ 6410	11	13		12		17	15
250	__ 6415	11	13	18	12		17	15
200	__ 6420	11	13	18	12			15



Box Stop End right



Box Stop End left



Box Outlet



Hopper long version



Outlet



Inclined Outlet



Hopper square version



Terrace Hopper



Hopper curved version



Grommet

### Box Stop End for soldering, right

500	__6500	13				
400	__6501	11	13			
333	__6505	11	13	18		
250	__6515	11	13			
200	__6520	11	13			

### Box Stop End for soldering, left

500	__6600	13				
400	__6601	11	13			
333	__6605	11	13	18		
250	__6615	11	13			
200	__6620	11	13			

### Outlet oval, with compass card, reinforced bend and bevel, welded on backside

500/150	__0000	11	13		12		17	15
500/120	__0001	11	13					
400/150	__0003	11	13		12			
400/120	__0005	11	13	18	23	12		17 15
400/100	__0006	11	13	18	23	12		15
333/120	__0010	11	13		12			17
333/100	__0015	11	13	18	23	12	14	21 17 15
333/87	__0020	11	13					15
333/80	__0022	11	13	18	23	12		17 15
333/76	__0025	11	13					
280/100	__0030	11	13		12			17 15
280/87	__0040	11	13					15
280/80	__0050	11	13	18	23	12	14	21 17 15
280/76	__0052	11	13					
250/80	__0055	11	13	18	23	12		21 17 15
250/76	__0058	11	13					15
250/60	__0062	11	13					
200/60	__0065	11	13	18		12		15

### Inclined Outlet cylindrical exit, variable incline

400/120	__1405	11	13		12		
333/100	__1410	11	13		12		
280/80	__1415	11	13		12		

### Box Outlet with compass card, reinforced bend, eye, welded on backside

500/150	__0800	11	13		12		17	15
400/120	__0805	11	13		12		17	15
333/100	__0815	11	13	18	23	12		17 15
280/87	__0840	11	13					
280/80	__0850	11	13		12		17	15
250/80	__0855	11	13		12		17	15
250/76	__0858	11	13					
200/60	__0865	11	13	18	23	12		15

### Hopper square version

150	__1900	11	13		12			15
120	__1905	11	13	18	23	12		17 15
100	__1910	11	13	18	23	12	14	16 17 15
87	__1915	11	13					15
80	__1920	11	13	18	23	12	14	16 17 15

### Hopper long version

120	__1950	11	13	18	23	12		17
100	__1955	11	13	18	23	12		17
87	__1960	11	13					
80	__1962	11	13	18	23	12		17
76	__1965	11	13					

### Hopper curved version

120	__1975	11	13					
100	__1980	11	13					
80	__1985	11	13					

### Terrace Hopper with overflow, 245 x 245 x 390 mm

100	__1940	11	13					17
80	__1945	11	13					17

### Grommet for pipe inlet

<b>Grommet for hopper</b>	
110-125	101905
100	101910
70-85	101920
50-65	101925



Gutter Hook short version



Gutter Hook long version



Fascia Hanger



Support for Gutter Stark®



Gutter Hook spring/spring, covered



Gutter Hook covered



Adjustable Unit



Fixing clips for Gutter Stark®



Gutter Stark® Leaf Guard



Gutter Support

### Gutter Hook short version, with reinforcing seam, spring/spring

400	__8600-KURZ	11	12	16
333	__8605-KURZ	11	12	16
280	__8610-KURZ	11	12	16
250	__8615-KURZ	11	12	16

### Gutter Hook long version, with reinforcing seam, spring/spring

400	__8600-LANG	11	12	
333	__8605-LANG	11	12	14
280	__8610-LANG	11	12	14
250	__8615-LANG	11	12	

### Gutter Hook short version, spring/spring, covered

333	__8605-UM-KURZ		18	
280	__8610-UM-KURZ		18	

### Gutter Hook long version, spring/spring, covered

400	__8600-UM-LANG	11		
333	__8605-UM-LANG	11		
280	__8610-UM-LANG	11		

### Fascia Hanger fix to the wall, spring/spring, flat to the wall against tilting effect

400	__8625	11	12	
333	__8630	11	12	14
280	__8635	11	12	14
250	__8640	11	12	
200	__8645	11	12	

### Adjustable Unit variable angle for inclination of the fascia hanger, for dimensions 333, 280, 250

333-250	__8667	11	12	14
---------	--------	----	----	----

### Gutter Stark® Leaf Guard for halfround gutters, length 200 resp. 100 cm, incl. supports and fixing clips, aluminium with anodization in copper colour or aluminium blank, price per meter

<b>gutter stark® leaf guard</b>				
400/2000	__8500	11		15
333/2000	__8505	11		15
280/2000	__8510	11		15

<b>support for gutter stark®</b>				
S-52	__8599-280		16	
S-64	__8599-333		16	
S-83	__8599-400		16	

<b>fixing clips for gutter stark®</b>				
16-22	__8599-16-22	11		16
12-18	__8599-12-18	11		16

### Gutter Support deep-drawn

333/280/250	__8790	11	12	14
-------------	--------	----	----	----



Badges with "Logo"



Gutter Connector



Box Gutter Outlet



"Logo" Holder



Gutter Outlet



Half Bead



Continuous Bead

### Badges with Logo box with 50 pcs.

50 pieces	__7690	11	18	15
-----------	--------	----	----	----

### "Logo" Holder for attaching badges with logo at the downpipe

100	__7910-LOGO	11	13
-----	-------------	----	----

### Gutter Connector with bead connector, fixing lock and flexible Z-spring, shape according to DIN 18461

400	__5800	11	13	12	
333	__5805	11	13	12	14
280	__5810	11	13	12	14
250	__5815	11	13	12	

### Gutter Outlet seamed for soldering

400/120	__0605	11	13	18	
333/100	__0615	11	13	18	
280/87	__0640	11	13		
280/80	__0650	11	13	18	23
280/76	__0652	11	13		
250/76	__0660	11	13		
200/60	__0665	11	13		
200/50	__0670	11	13		

### Box Gutter Outlet seamed for soldering

120	__1005	11	13
100	__1015	11	13
87	__1040	11	13
80	__1050	11	13
76	__1060	11	13
60	__1065	11	13
50	__1070	11	13

### Half Bead

150	__8800	13		
120	__8801	11	13	15
100	__8805	11	13	15
87	__8810	11	13	
80	__8815	11	13	15
76	__8820	11	13	
60	__8825	11	13	

### Continuous Bead price per kg (1 kg = 5 pieces)

150	__9200	11	13
120	__9205	11	13
100	__9210	11	13
85-90	__9215	11	13
75-80	__9220	11	13



Chimney Hood



Installation Accessories

**Chimney Hood** incl. supports in stainless steel, complete with screws and shims. Material thickness: copper 1.0 mm, stainless steel 0.8 mm. Up to and including 950 mm length of the cowl, two pairs of supports are required, from 960 mm three pairs of supports are required. Length of support 27 cm.

chimney hood size W x L (cm)

97 x 185	__8997-185	11	16
97 x 165	__8997-165	11	16
97 x 147	__8997-147	11	16
97 x 127	__8997-127	11	16
97 x 117	__8997-117	11	16
97 x 107	__8997-107	11	16
97 x 97	__8997-97	11	16
87 x 165	__8987-165	11	16
87 x 147	__8987-147	11	16
87 x 137	__8987-137	11	16
87 x 127	__8987-127	11	16
87 x 117	__8987-117	11	16
87 x 107	__8987-107	11	16
87 x 97	__8987-97	11	16
87 x 87	__8987-87	11	16
77 x 147	__8977-147	11	16
77 x 137	__8977-137	11	16
77 x 127	__8977-127	11	16
77 x 117	__8977-117	11	16
77 x 107	__8977-107	11	16
77 x 97	__8977-97	11	16
77 x 87	__8977-87	11	16
77 x 77	__8977-77	11	16
67 x 120	__8967-120	11	16
67 x 107	__8967-107	11	16
67 x 97	__8967-97	11	16
67 x 87	__8967-87	11	16
67 x 67	__8967-67	11	16
57 x 57	__8957-57	11	16

## Installation Accessories

supports for chimney hood, length 27 cm

2 pairs	__8955-2P	16
3 pairs	__8955-3P	16



Gutter Sieve



Dicht 7



Glue Set



Screw Caps



Bending tool for gutter hooks

## Gutter Sieve

leaf collector for pushing into gutter drain

150	__8400	11	12	16
120	__8405	11	12	16
87-100	__8410	11	12	16
75-80	__8420	11	12	16
50-60	__8425	11	12	16

**Dicht 7** universal glue and sealing agent, 310 ml cartridge, Shoregrade 60, without solvents, humidity-resistant, coatable, odourless, colour: grey

310 ml Grey	100000
-------------	--------

**Glue Set** with acetone cleaner, Dicht 7, cleaning cloth, sand paper

100010
--------

## Screw Caps

35 mm	__7605	11	13
27 mm	__7615	11	13

**Bending tool** for gutter hooks L = 700 mm

700	100002
-----	--------



Bracket



Bracket for Cast Iron Pipe



Elbow 40°



Square Bracket



Bracket



Elbow 60°



Elbow 72°



Hinged Outlet



Square Elbow 72°



Elbow 85°

**Bracket** for downpipe, with thread socket M10, for screw pin or screw

150	__7715	11	12
120	__7712	11	12
100	__7710	11	12 14
87	__7787	11	12
80	__7780	11	12 14
76	__7776	11	12
60	__7760	11	12
50	__7750	11	12

**Bracket** for Cast Iron Pipe with thread socket M10

100/M10	__9910	12
---------	--------	----

**Square Bracket** for square downpipe, with thread socket M10 for screw

100/100	__8725	12
80/80	__8730	12

**Bracket** for installation on wood

100	__8010	12
87	__8087	12
80	__8080	12
76	__8076	12

**Hinged Outlet** variable incline through ball joint, patented

400/120/1250	__4085	11
400/120/1000	__4080	11
400/120/750	__4075	11
400/120/500	__4070	11 13
333/100/1250	__4045	11 13 12
333/100/1000	__4040	11 13 12
333/100/750	__4035	11 13 12
333/100/500	__4030	11 13 12

**Square Elbow 72°**

100	__2910	11 13 18 23
80	__2930	11 13 18 23

**Elbow 40°** one-piece, tapered

120	__3200	11 13 18 12	17*	15	
100	__3205	11 13 18 23 12	21*	17*	15
87	__3208	11 13			15
80	__3215	11 13 18 23 12	21*	17*	15
76	__3220	11 13			
60	__3230	11 13			

\* These articles are not made of pipe but soldered.

**Elbow 60°** one-piece, tapered

With 3-points-connection for fast installation.

120	__2002	13
100	__2000	13 18 23
87	__2005	13
80	__2007	13 18 23
76	__2010	13
60	__2012	13
50	__2015	13*

\* These articles are not made of pipe but soldered.

**Elbow 72°** one-piece, tapered

With 3-points-connection for fast installation.

150	__2400	11* 13* 12*	17*	15*	
120	__2405	11 13 18 12	16	17*	15
100	__2410	11 13 18 23 12 14	16	17*	15
87	__2420	11 13			15
80	__2430	11 13 18 23 12 14	16	17*	15
76	__2435	11 13			15
60	__2445	11 13* 18 12*	17*	15*	
50	__2450	11 13*			

\* These articles are not made of pipe but soldered.

**Elbow 85°** one-piece, tapered

120	__2801	11 13			
100	__2800	11 13 18 23 12	17*	15	
87	__2802	11 13			15
80	__2805	11 13 18 23 12	17*	15	
76	__2810	11 13			
60	__2812	11 13			

\* These articles are not made of pipe but soldered.





Downpipe Angle 87°



Elbow "Vario" 72°



Sliding Collar with/without Leaf Basket



Beaded Elbow 72°



S-Curve



Downpipe Junction 60°



Downpipe Junction 72°



Water Collector



Rainwater Pipe Flap



Rainwater Pipe Flap with sieve

### Downpipe Angle 87°

120	__3300	11	13
100	__3310	11	13
87	__3320		13
80	__3330	11	13
76	__3335		13
60	__3345	11	13

### Elbow "Vario" 72° length from center outlet to center downpipe

With 3-points-connection for fast installation.

100/700-1100	__3005	11	13
100/500-700	__3000	11	13
80/500-700	__3030	11	13

### Beaded Elbow for downpipe runoff

120	__3105	11	13	
100	__3110	11	13	12
87	__3120	11	13	
80	__3130	11	13	12
76	__3135	11	13	

### S-Curve one-piece, tapered, 60 mm offset

120	__3600	11	13	18	23	12*	17*	15*	
100	__3605	11	13	18	23	12*	14*	17*	15
87	__3612	11	13						15
80	__3620	11	13	18	23	12*	14*	17*	15
76	__3625	11	13						15

\* These articles are not made of pipe but soldered.

### Water Collector with tube installation set and closing cap

120	__7500	11	13	
100	__7505	11	13	15
87	__7508	11	13	15
80	__7515	11	13	15
76	__7518	11	13	

### Rainwater Pipe Flap

120	__7200	11	13	12	17	15			
100	__7205	11	13	18	23	12	14	17	15
87	__7208	11	13						15
80	__7215	11	13	18	23	12	14	17	15
76	__7218	11	13						
60	__7220	11	13						

### Rainwater Pipe Flap with sieve

120	__7300	11	13	12	17	15		
100	__7305	11	13	18	23	12	17	15
87	__7308	11	13					15
80	__7315	11	13	18	23	12	17	15
76	__7318	11	13					

### Sliding Collar with pipe cover 116 mm (or 150 mm for 120 mm downpipe)

120	__8200	11	13	
100	__8205	11	13	12
87	__8208	11	13	
80	__8215	11	13	12
76	__8218	11	13	

### Sliding Collar with Leaf Basket leaf basket made of stainless steel,

with pipe cover 116 mm

100	__8250	11	13
-----	--------	----	----

### Downpipe Junction 60°

100/100	__7010-100-60	13
100/87	__7010-87-60	13
100/80	__7010-80-60	13
100/76	__7010-76-60	13
100/60	__7010-60-60	13
87/87	__7087-87-60	13
76/76	__7076-76-60	13
60/60	__7060-60-60	13

### Downpipe Junction 72°

120/120	__7012-120-72	11	13	12	15			
120/100	__7012-100-72	11	13	12	15			
100/100	__7010-100-72	11	13	18	12	14	17	15
100/87	__7010-87-72	11	13					15
100/80	__7010-80-72	11	13	12	14	17	15	
100/76	__7010-76-72	11	13					
100/60	__7010-60-72	11	13	12	15			
87/87	__7087-87-72	11	13					15
87/76	__7087-76-72	13						
80/80	__7080-80-72	11	13	12	14	17	15	
80/60	__7080-60-72	11	13	12	15			
76/76	__7076-76-72	11	13					
60/60	__7060-60-72	11	13					15



Ventilation Cap



Bracket for Drivepipe



Downpipe



Drivepipe with/without cleaning hole



Grommet



Pipe Cover



PE Junction for Drivepipe



Pipe Cover with Bead

## Ventilation Cap

120	__8300	11	13	
100	__8305	11	13	18
87	__8308	11	13	
80	__8315	11	13	18
76	__8318	11	13	

## Downpipe

according to EN 612, seamed, price per meter, length 2 rm

100	__7910	11	13	12	14
80	__7980	11	13	12	14

## Drivepipe

with inside coating, Ø 100 incl. grommet for replacement of grommet KG-pipe

100/2000	__9400-2000		12
100/1500	__9400-1500		12
150/1000	__9450-1000		12
125/1000	__9425-1000		12
100/1000	__9400-1000	11	12
80/1000	__9480-1000		12
100/500	__9400-0500		12

## Drivepipe with cleaning hole

with inside coating, Ø 100 incl. grommet for replacement of grommet KG-pipe

150/1000	__9350-1000		12
125/2000	__9325-2000		12
100/2000	__9300-2000		12
125/1500	__9325-1500		12
100/1500	__9300-1500		12
125/1000	__9325-1000	11	12
100/1000	__9300-1000	11	12
80/1000	__9380-1000	11	12
100/500	__9300-0500		12

## Drivepipe with cleaning hole and overflow

with inside coating, Ø 100 incl. grommet for replacement of grommet KG-pipe

100/1000	__9301	11	12
----------	--------	----	----

## Bracket

for Drivepipe with thread socket M10 for screw

150/M10	__9750		12
125/M10	__9725		12
100/M10	__9700	11	12
80/M10	__9708		12

## Grommet

for upper end of drivepipe and for Ø 100 seal on lower end to KG-pipe

150	109650
125	109625
100	109600
80	109680

## PE Junction for Drivepipe

for connection of drivepipe Ø 80 mm to KG-pipe

90/110	109681
--------	--------

## Pipe Cover

with Bead

100/115-120	__6815	11	13	12	14	16	17	15
80/115-120	__6825	11	13	12	14	16	17	

## Pipe Cover

150/180	__6801	11	13		12		15	
120/180	__6800	11	13		12		15	
120/150	__6805	11	13	18	12		17	15
100/150	__6910	11	13	18	12			
100/115	__6913	11	13	18	23	12	17	15
87/150	__6916		13					
87/115	__6917	11	13				15	
80/150	__6920		13					
80/115	__6927	11	13	18	23	12	17	15
80/100	__6930	11	13		12		15	
76/150	__6932		13					
76/115	__6935	11	13					
60/115	__6940	11	13					



Downpipe Connector



Screw



Eyebolt



Downpipe Reduction



Variable Downpipe Connector



Facade Adapter



Dowel



Wall Holder



Screw Pin/Cap

## Downpipe Connector

150	__7102	11	13					
120	__7100	11	13	18	12			15
100	__7105	11	13	18	23	12	14	15
87	__7108	11	13					15
80	__7115	11	13	18	23	12	14	15
76	__7118	11	13					15
60	__7125	11	13					15

## Downpipe Reduction

150/120	__8101	13					
120/100	__8100	11	13				15
100/87	__8105	11	13				
100/80	__8110	11	13				15
100/76	__8115	13					
87/76	__8125	13					
80/60	__8135	11	13				

## Variable Downpipe Connector

for connecting smaller downpipes with a downpipe 100 mm diameter

100/60-76-80-87	__7150	11	13				
-----------------	--------	----	----	--	--	--	--

## Screw

for downpipe bracket with thread socket M10, yellow chromated (in copper column) and galvanized (in galvanized column)

300	__7610-300	11		12	
250	__7610-250	11		12	
200	__7610-200	11		12	
140	__7610-140	11		12	
100	__7610-100	11		12	

## Facade Adapter M10

M10	__7609	11		12	
-----	--------	----	--	----	--

## Wall Holder

with thread socket M10, for thread stick

	__7606			12	
--	--------	--	--	----	--

## Eyebolt

M6, as spare part for brackets

M6/20mm	__7606-20				16
---------	-----------	--	--	--	----

## Dowel

for downpipe brackets with thread socket M10

### long-shaft dowel for fastening through insulating layers

10/280	108900-280				
10/240	108900-240				
10/180	108900-180				

### frame plug for hard bases

10/120	108900-120				
--------	------------	--	--	--	--

## Screw Pin

for downpipe bracket with thread socket M10, self-tapping

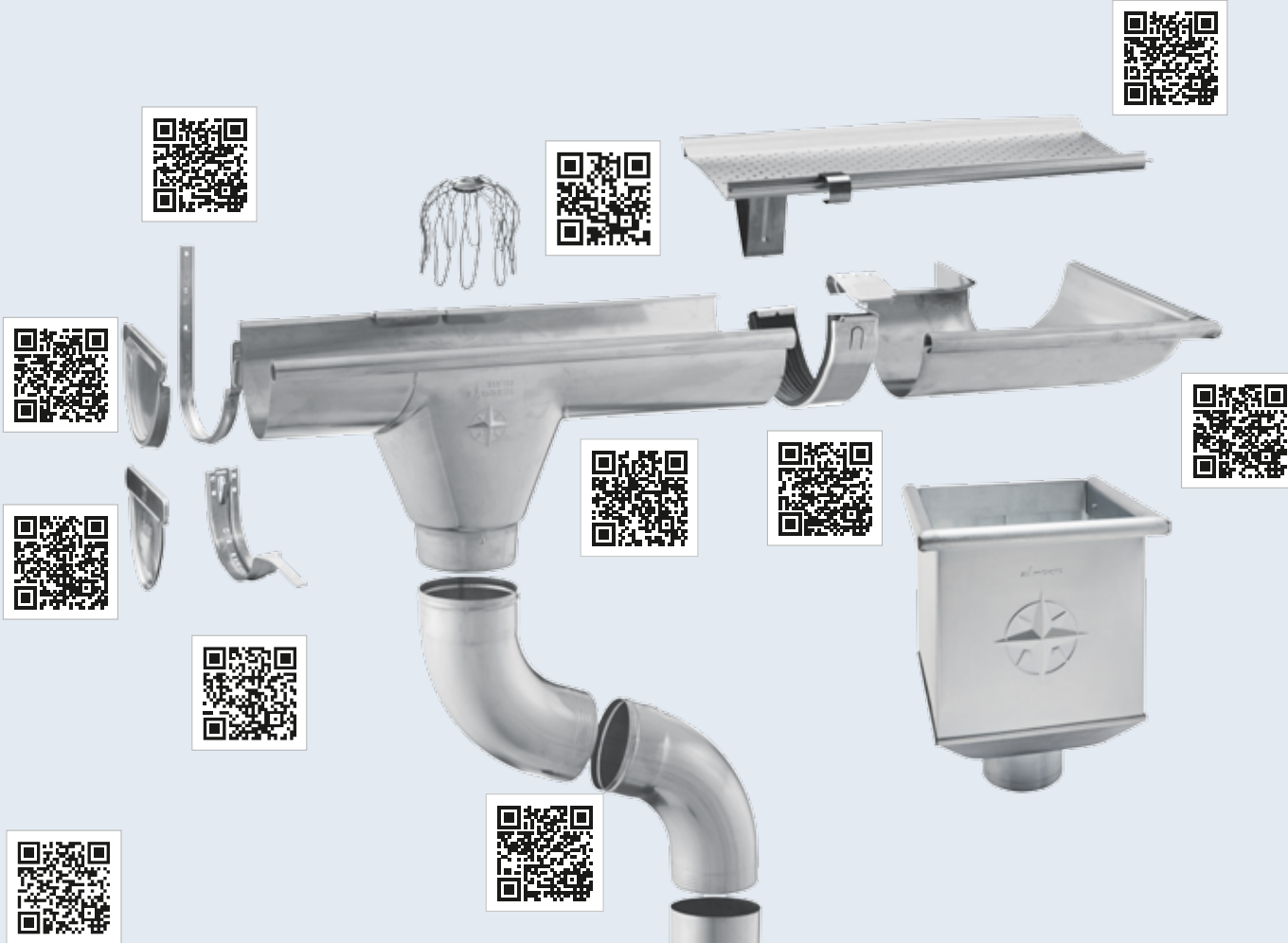
300/M10	__7613-300			12	
250/M10	__7613-250			12	
200/M10	__7613-200			12	
140/M10	__7613-140			12	
80/M10	__7613-80			12	

## Cap

white

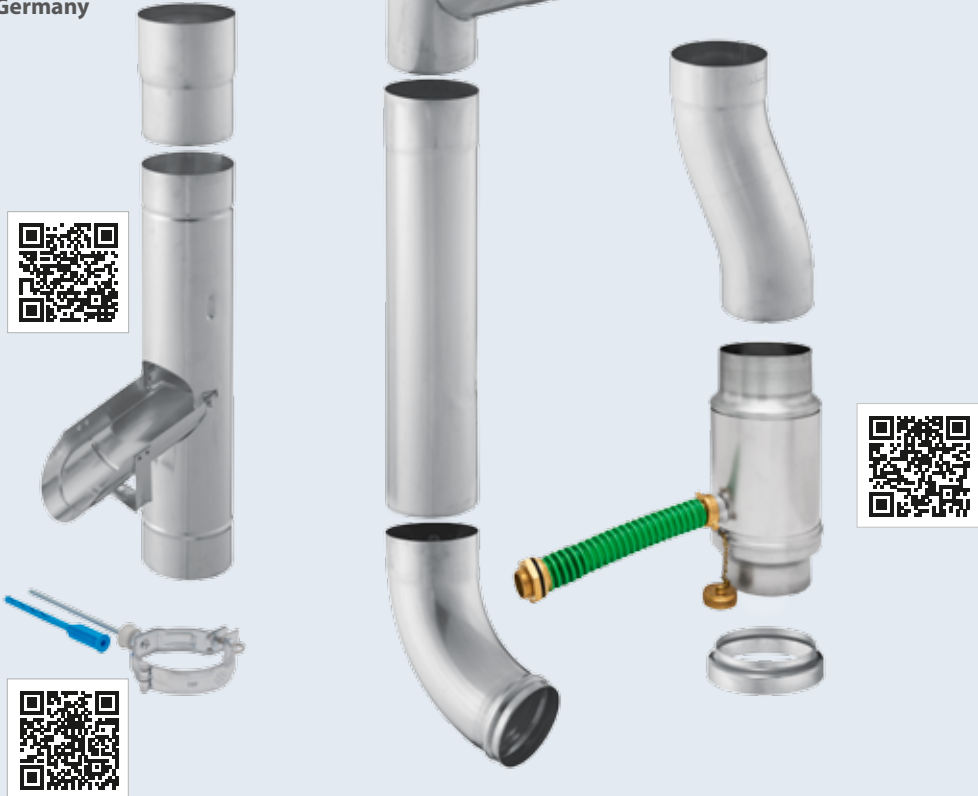
universal	107800				
-----------	--------	--	--	--	--

# INSTALLATION INSTRUCTIONS



### Video Installation Instructions

You can find our installation instructions as video on our homepage or on [www.youtube.com/ZambelliGermany](http://www.youtube.com/ZambelliGermany)



### Inclined Outlet



[www.install-inclined-outlet.zambelli.de](http://www.install-inclined-outlet.zambelli.de)

### Chimney Hood



[www.install-chimney-hood.zambelli.de](http://www.install-chimney-hood.zambelli.de)

### Elbow "Vario" 72°



[www.install-elbow-vario.zambelli.de](http://www.install-elbow-vario.zambelli.de)

### 3-Points-Set



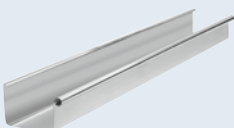
[www.install-3point-elbow.zambelli.de](http://www.install-3point-elbow.zambelli.de)

### Stop End for soldering



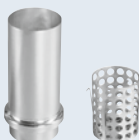
[www.soldering-stop-end.zambelli.de](http://www.soldering-stop-end.zambelli.de)

### Box Gutter



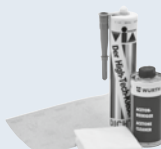
[www.montage-kastenrinne.zambelli.de](http://www.montage-kastenrinne.zambelli.de)

### Sliding Collar with Leaf Basket



[www.install-sliding-collar-leaf-basket.zambelli.de](http://www.install-sliding-collar-leaf-basket.zambelli.de)

### Glue Set

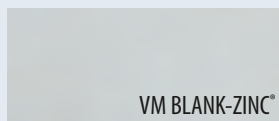


[www.montage-klebeset.zambelli.de](http://www.montage-klebeset.zambelli.de)



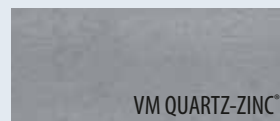
copper

TECU® 11



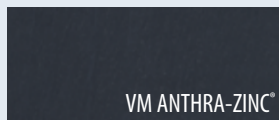
VM BLANK-ZINC®

VMZINC 13



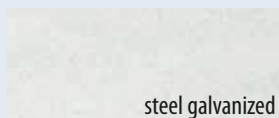
VM QUARTZ-ZINC®

VMZINC 18



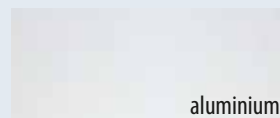
VM ANTHRA-ZINC®

VMZINC 23



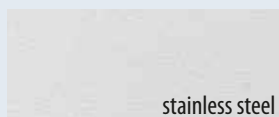
steel galvanized

12



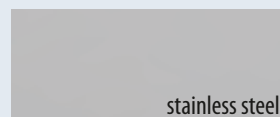
aluminium

15



stainless steel

17



stainless steel

21

UGINOX Patina K41

UGITOP

RAL 7016 (anthracite grey)	RAL 7037 (dust grey)
RAL 9002 (grey white)	RAL 9006 (white aluminium)
Testa di Moro	RAL 8004 copper brown
RAL 9005 jet black	

Colour-coated "robust"  
Other colours are available on request.



14

## THE ZABELLI ORDER NUMBER SYSTEM:

The shown product tables indicate you at a glance the size and material of the respective articles. Please note that the first two digits of the order number specify the desired material. The legend in the footer explains which two-digit number indicate the respective material.

Your specialized trade:

**zAmbelli**  
SIMPLY MASTERING RAINWATER

Zambelli  
Fertigungs GmbH & Co. KG  
Passauer Strasse 3 + 5  
94481 Grafenau  
Germany

Phone +49 85 55 409 - 0  
Fax +49 85 55 409 - 30  
E-mail fertigung@zambelli.com

ICH MACH'S EINFACH.



08/2017