
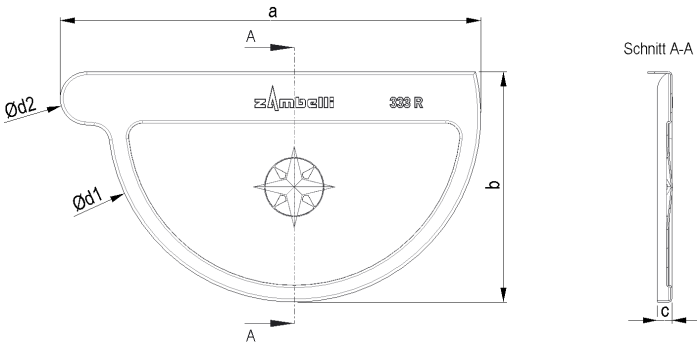


Stop end for soldering (right)

Image	Product description	Technical details																																																		
	<ul style="list-style-type: none"> ■ for soldering ■ half-round ■ high-quality optical characteristic ■ consistent shape and exact fit accuracy ■ with compass card 	<p>Available sizes:</p> <p>500, 400, 333, 280, 250, 200</p> <p>Materials:</p> <table border="1" style="width: 100%; border-collapse: collapse;"> <tr> <td>Copper</td> <td style="text-align: right;">0,55</td> </tr> <tr> <td>VM Blank-Zinc®</td> <td style="text-align: right;">0,7</td> </tr> <tr> <td>VM Quartz-Zinc®</td> <td style="text-align: right;">0,7</td> </tr> <tr> <td>VM Anthra-Zinc®</td> <td style="text-align: right;">0,7</td> </tr> </table> <p>Measurements:</p> <table border="1" style="width: 100%; border-collapse: collapse;"> <thead> <tr> <th>size</th> <th>a</th> <th>b</th> <th>c</th> <th>Ød1</th> <th>Ød2</th> </tr> </thead> <tbody> <tr> <td>500</td> <td>272</td> <td>150</td> <td>6,0</td> <td>250</td> <td>22</td> </tr> <tr> <td>400</td> <td>214</td> <td>114</td> <td>5,0</td> <td>192</td> <td>22</td> </tr> <tr> <td>333</td> <td>173</td> <td>95</td> <td>6,3</td> <td>153</td> <td>20</td> </tr> <tr> <td>280</td> <td>145</td> <td>80</td> <td>5,5</td> <td>127</td> <td>18</td> </tr> <tr> <td>250</td> <td>123</td> <td>72</td> <td>5,5</td> <td>105</td> <td>18</td> </tr> <tr> <td>200</td> <td>96</td> <td>60</td> <td>5,5</td> <td>80</td> <td>16</td> </tr> </tbody> </table>	Copper	0,55	VM Blank-Zinc®	0,7	VM Quartz-Zinc®	0,7	VM Anthra-Zinc®	0,7	size	a	b	c	Ød1	Ød2	500	272	150	6,0	250	22	400	214	114	5,0	192	22	333	173	95	6,3	153	20	280	145	80	5,5	127	18	250	123	72	5,5	105	18	200	96	60	5,5	80	16
Copper	0,55																																																			
VM Blank-Zinc®	0,7																																																			
VM Quartz-Zinc®	0,7																																																			
VM Anthra-Zinc®	0,7																																																			
size	a	b	c	Ød1	Ød2																																															
500	272	150	6,0	250	22																																															
400	214	114	5,0	192	22																																															
333	173	95	6,3	153	20																																															
280	145	80	5,5	127	18																																															
250	123	72	5,5	105	18																																															
200	96	60	5,5	80	16																																															
2D-Design	Material standards																																																			
	<table border="1" style="width: 100%; border-collapse: collapse;"> <tr> <td>Copper, Copper alloy</td> <td>DIN EN 1172</td> </tr> <tr> <td>Zinc, Zinc alloy</td> <td>DIN EN 988</td> </tr> </table>	Copper, Copper alloy	DIN EN 1172	Zinc, Zinc alloy	DIN EN 988																																															
Copper, Copper alloy	DIN EN 1172																																																			
Zinc, Zinc alloy	DIN EN 988																																																			

Stop end for soldering (right)

Article number:

size	Copper	VM Blank-Zinc®	VM Quartz-Zinc®	VM Anthra-Zinc®
500	116100	136100		
400	116101	136101		
333	116105	136105	186105	236105
280	116110	136110		
250	116115	136115		
200	116120	136120		

Packaging information:

size	pc/box
500	25
400	25
333	25
280	25
250	25
200	50

Text for invitation to tender:

Stop End for soldering (right), as addition to gutter, Zambelli branded or equal, delivery and installation.