
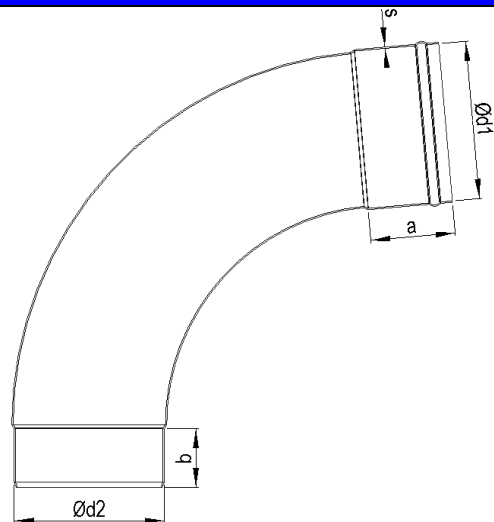


Elbow 85°

Image	Product Description	Technical Details																																																											
	<ul style="list-style-type: none"> ■ 3-points connection, enlargement at the top and reduction and chamfer at the bottom for simple and fast push-in connections ■ consistent shape and exact fit ■ high-quality optics ■ hardly visible and high-quality WIG-welding seam outside the water run ■ galvanized elbow in D100 and 80 made of seamed pipe, one lateral seam, with reduction at the bottom ■ compass card 	<p>Sizes:</p> <p>120, 100, 87, 80, 76, 60</p> <p>Materials:</p> <table border="1" style="width: 100%; border-collapse: collapse; text-align: center;"> <thead> <tr style="background-color: #e0e0e0;"> <th></th> <th>60-100</th> <th>120</th> </tr> </thead> <tbody> <tr> <td>Copper</td> <td>0,62</td> <td>0,70</td> </tr> <tr> <td>VM Blank-Zinc®</td> <td>0,68</td> <td>0,80</td> </tr> <tr> <td>VM Quartz-Zinc®</td> <td>0,68</td> <td>0,80</td> </tr> <tr> <td>VM Anthra-Zinc®</td> <td>0,68</td> <td>0,80</td> </tr> <tr> <td>galvanizes steel</td> <td>0,65</td> <td>0,65</td> </tr> <tr> <td>Uginox FTE®</td> <td>0,50</td> <td></td> </tr> <tr> <td>Aluminium</td> <td>0,80</td> <td></td> </tr> </tbody> </table> <p>Measurements:</p> <table border="1" style="width: 100%; border-collapse: collapse; text-align: center;"> <thead> <tr style="background-color: #e0e0e0;"> <th>Sizes</th> <th>a</th> <th>b</th> <th>innen Ø d1</th> <th>außen Ø d2</th> </tr> </thead> <tbody> <tr> <td>120</td> <td>45</td> <td>35</td> <td>120+1</td> <td>115</td> </tr> <tr> <td>100</td> <td>45</td> <td>35</td> <td>100+1</td> <td>96</td> </tr> <tr> <td>87</td> <td>45</td> <td>35</td> <td>87+1</td> <td>84</td> </tr> <tr> <td>80</td> <td>45</td> <td>35</td> <td>80+1</td> <td>77</td> </tr> <tr> <td>76</td> <td>45</td> <td>35</td> <td>76+1</td> <td>73</td> </tr> <tr> <td>60</td> <td>45</td> <td>35</td> <td>60+1</td> <td>57</td> </tr> </tbody> </table>		60-100	120	Copper	0,62	0,70	VM Blank-Zinc®	0,68	0,80	VM Quartz-Zinc®	0,68	0,80	VM Anthra-Zinc®	0,68	0,80	galvanizes steel	0,65	0,65	Uginox FTE®	0,50		Aluminium	0,80		Sizes	a	b	innen Ø d1	außen Ø d2	120	45	35	120+1	115	100	45	35	100+1	96	87	45	35	87+1	84	80	45	35	80+1	77	76	45	35	76+1	73	60	45	35	60+1	57
	60-100	120																																																											
Copper	0,62	0,70																																																											
VM Blank-Zinc®	0,68	0,80																																																											
VM Quartz-Zinc®	0,68	0,80																																																											
VM Anthra-Zinc®	0,68	0,80																																																											
galvanizes steel	0,65	0,65																																																											
Uginox FTE®	0,50																																																												
Aluminium	0,80																																																												
Sizes	a	b	innen Ø d1	außen Ø d2																																																									
120	45	35	120+1	115																																																									
100	45	35	100+1	96																																																									
87	45	35	87+1	84																																																									
80	45	35	80+1	77																																																									
76	45	35	76+1	73																																																									
60	45	35	60+1	57																																																									
2D-Drawing	Material-Standards																																																												
	<table border="1" style="width: 100%; border-collapse: collapse; text-align: center;"> <tbody> <tr> <td>Copper, Copper alloy</td> <td>DIN EN 1172</td> </tr> <tr> <td>Zinc, Zinc alloy</td> <td>DIN EN 988</td> </tr> <tr> <td>Aluminium</td> <td>DIN EN 485-2+4/573</td> </tr> <tr> <td>Galvanizes steel</td> <td>DIN EN 10346</td> </tr> </tbody> </table>	Copper, Copper alloy	DIN EN 1172	Zinc, Zinc alloy	DIN EN 988	Aluminium	DIN EN 485-2+4/573	Galvanizes steel	DIN EN 10346																																																				
Copper, Copper alloy	DIN EN 1172																																																												
Zinc, Zinc alloy	DIN EN 988																																																												
Aluminium	DIN EN 485-2+4/573																																																												
Galvanizes steel	DIN EN 10346																																																												

Elbow 85°

article codes:

size	Copper	VM Blank-Zinc®	VM Quartz-Zinc®	VM Anthra-Zinc®	galvan. steel	Uginox FTE®	Aluminium
120	³ 112801	³ 132801					
100	³ 112800	³ 132800	³ 182800	³ 232800	² 122800	¹ 172800	152800
87	³ 112802	³ 132802					152802
80	³ 112805	³ 132805	³ 182805	³ 232805	² 122805	¹ 172805	152805
76	³ 112810	³ 132810					152810
60	112812	132812					

¹not made of pipes, but welded of two parts

²made of seamed pipe

³with 3-points connection for fast installation

Packaging information:

size	pc/box	pc/pallet
120	10	160
100	25	400
87	25	400
80	25	400
76	25	500
60	25	500

Text for invitation to tender:

Elbows 85°, made of welded pipe or of two parts,
 (*) Zambelli brand or equal;
 delivery and installation.