
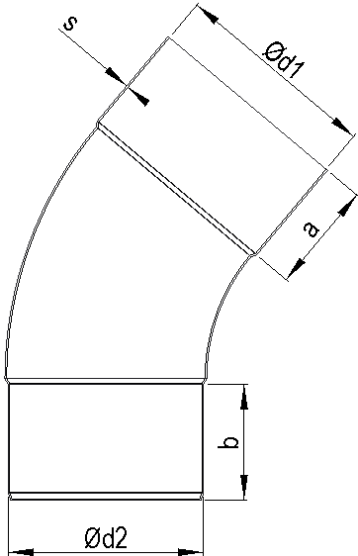


**Elbow-40° one seam - robust**

Image	Product Description	Technical Details																																												
	<ul style="list-style-type: none"> <li>■ galvanized coated steel for maximum stability and permanent corrosion prevention.</li> <li>■ guaranteed uniform surface within the master system</li> <li>■ scratch resistant and colour proof due to a well-structured, hard and especially tough finish</li> <li>■ best UV resistance (RUV-4)</li> <li>■ consistent shape and exact fit</li> <li>■ high-quality optics, only one lateral seam</li> <li>■ consistent shape and exact fit</li> <li>■ compass card</li> <li>■ elbow with enlargement at the top, reduction and chamfer at the bottom</li> </ul>	<p><b>Available sizes:</b></p> <p>120, 100, 80</p> <p><b>Material Thickness s:</b></p> <table border="1" style="width: 100%; border-collapse: collapse;"> <tr> <td style="border: 1px dashed black;">galvanized</td> <td style="border: 1px dashed black; text-align: center;">0,65</td> </tr> <tr> <td style="border: 1px dashed black;">galvanized coated robust</td> <td style="border: 1px dashed black; text-align: center;">0,73</td> </tr> </table> <p><b>Measurements:</b></p> <table border="1" style="width: 100%; border-collapse: collapse;"> <thead> <tr> <th style="border: 1px dashed black;">size</th> <th style="border: 1px dashed black;">inside Ø d1</th> <th style="border: 1px dashed black;">outside Ø d2</th> <th style="border: 1px dashed black;">a</th> <th style="border: 1px dashed black;">b</th> </tr> </thead> <tbody> <tr> <td style="border: 1px dashed black;">120</td> <td style="border: 1px dashed black;">120+1</td> <td style="border: 1px dashed black;">119,2</td> <td style="border: 1px dashed black;">45</td> <td style="border: 1px dashed black;">35</td> </tr> <tr> <td style="border: 1px dashed black;">100</td> <td style="border: 1px dashed black;">100+1</td> <td style="border: 1px dashed black;">98,9</td> <td style="border: 1px dashed black;">45</td> <td style="border: 1px dashed black;">35</td> </tr> <tr> <td style="border: 1px dashed black;">80</td> <td style="border: 1px dashed black;">80+1</td> <td style="border: 1px dashed black;">79,5</td> <td style="border: 1px dashed black;">45</td> <td style="border: 1px dashed black;">35</td> </tr> </tbody> </table> <p><b>Order numbers/packaging information:</b></p> <table border="1" style="width: 100%; border-collapse: collapse;"> <thead> <tr> <th style="border: 1px dashed black;">Size</th> <th style="border: 1px dashed black;">galvanized</th> <th style="border: 1px dashed black;">galvanized coated robust</th> <th style="border: 1px dashed black;">pc/box</th> <th style="border: 1px dashed black;">pc/pallet</th> </tr> </thead> <tbody> <tr> <td style="border: 1px dashed black;">120</td> <td style="border: 1px dashed black;">123200</td> <td style="border: 1px dashed black;">143200</td> <td style="border: 1px dashed black;">10</td> <td style="border: 1px dashed black;">200</td> </tr> <tr> <td style="border: 1px dashed black;">100</td> <td style="border: 1px dashed black;">123205</td> <td style="border: 1px dashed black;">143205</td> <td style="border: 1px dashed black;">25</td> <td style="border: 1px dashed black;">400</td> </tr> <tr> <td style="border: 1px dashed black;">80</td> <td style="border: 1px dashed black;">123215</td> <td style="border: 1px dashed black;">143215</td> <td style="border: 1px dashed black;">25</td> <td style="border: 1px dashed black;">500</td> </tr> </tbody> </table>	galvanized	0,65	galvanized coated robust	0,73	size	inside Ø d1	outside Ø d2	a	b	120	120+1	119,2	45	35	100	100+1	98,9	45	35	80	80+1	79,5	45	35	Size	galvanized	galvanized coated robust	pc/box	pc/pallet	120	123200	143200	10	200	100	123205	143205	25	400	80	123215	143215	25	500
galvanized		0,65																																												
galvanized coated robust	0,73																																													
size	inside Ø d1	outside Ø d2	a	b																																										
120	120+1	119,2	45	35																																										
100	100+1	98,9	45	35																																										
80	80+1	79,5	45	35																																										
Size	galvanized	galvanized coated robust	pc/box	pc/pallet																																										
120	123200	143200	10	200																																										
100	123205	143205	25	400																																										
80	123215	143215	25	500																																										
<b>2D-Drawing</b>																																														
	<b>Material-Standards</b>																																													
	<p>EN 10346</p>	<p><b>Text for invitation to tender:</b></p> <p>Elbows, made of seamed pipes, Zambelli brand or equal....., delivery and installatio</p>																																												