
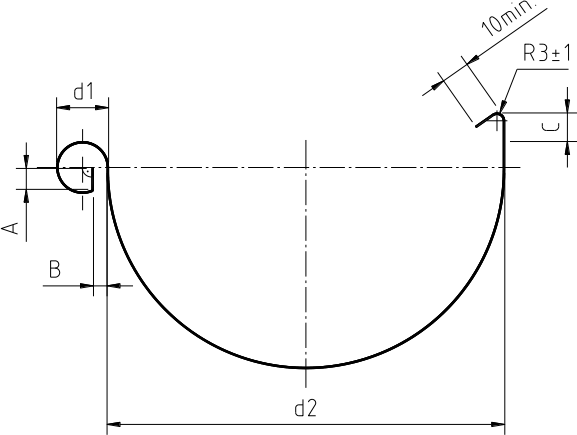


gutter - robust

Image	Product description	Technical details																																																												
	<ul style="list-style-type: none"> ■ galvanized coated steel for maximum stability and permanent corrosion prevention ■ guaranteed uniform surface within the master system ■ structured and especially hard colour coating makes the gutter very scratch- and colourfast ■ best UV-resistance (RUV-4) ■ high-quality optical characteristic ■ consistent shape and exact fit accuracy ■ bead notch for better assembly 	<p>Available sizes:</p> <p>500, 400, 333, 280, 250</p> <p>Materials:</p> <table border="1" style="width: 100%; border-collapse: collapse; text-align: center;"> <tr> <th></th> <th>500</th> <th>400</th> <th>333</th> <th>280</th> <th>250</th> </tr> <tr> <td>galvanized</td> <td>0,60</td> <td>0,60</td> <td>0,60</td> <td>0,60</td> <td>0,60</td> </tr> <tr> <td>galvanized coated robust</td> <td>0,60</td> <td>0,60</td> <td>0,60</td> <td>0,60</td> <td>0,60</td> </tr> </table> <p>Measurements:</p> <table border="1" style="width: 100%; border-collapse: collapse; text-align: center;"> <thead> <tr> <th>size</th> <th>A</th> <th>B</th> <th>C</th> <th>d1</th> <th>d2</th> </tr> </thead> <tbody> <tr> <td></td> <td>±1</td> <td>±1</td> <td>min.</td> <td>±1</td> <td>+2</td> </tr> <tr> <td>500</td> <td>9</td> <td>6</td> <td>21</td> <td>22</td> <td>250</td> </tr> <tr> <td>400</td> <td>9</td> <td>6</td> <td>11</td> <td>22</td> <td>192</td> </tr> <tr> <td>333</td> <td>9</td> <td>6</td> <td>11</td> <td>20</td> <td>153</td> </tr> <tr> <td>280</td> <td>7</td> <td>6</td> <td>11</td> <td>18</td> <td>127</td> </tr> <tr> <td>250</td> <td>7</td> <td>5</td> <td>10</td> <td>18</td> <td>105</td> </tr> </tbody> </table>		500	400	333	280	250	galvanized	0,60	0,60	0,60	0,60	0,60	galvanized coated robust	0,60	0,60	0,60	0,60	0,60	size	A	B	C	d1	d2		±1	±1	min.	±1	+2	500	9	6	21	22	250	400	9	6	11	22	192	333	9	6	11	20	153	280	7	6	11	18	127	250	7	5	10	18	105
	500	400	333	280	250																																																									
galvanized	0,60	0,60	0,60	0,60	0,60																																																									
galvanized coated robust	0,60	0,60	0,60	0,60	0,60																																																									
size	A	B	C	d1	d2																																																									
	±1	±1	min.	±1	+2																																																									
500	9	6	21	22	250																																																									
400	9	6	11	22	192																																																									
333	9	6	11	20	153																																																									
280	7	6	11	18	127																																																									
250	7	5	10	18	105																																																									
2D-Drawing																																																														
	Material standards																																																													
	DIN 18461- DIN EN 612																																																													

gutter - robust

Order numbers:

size	galvanized	galvanized coated robust
500	124150	144150
400	124140	144140
333	124133	144133
280	124128	144128
250	124125	144125

Tender specification:

Gutter non-bearing half round design according to DIN EN 612,

- Cut - 250 mm (8-part),
- Cut - 280 mm (7-part), .
- Cut - 333 mm (6-part), .
- Cut - 400 mm (5-part), .
- Cut - 500 mm (4-part), .
- or cut on demand mm

incl. gutter hook, min. 6 x 25 mm,

Gutter hook distance according to chart 9 from the plumber norms though maximum 900 mm and required extension element as outlets and stop ends brand Zambelli or equivalent.....

Material:

- Galvanized steel plate, colour-coated according to tone of the roof coverage
- deliver and assemble 0,000 m