
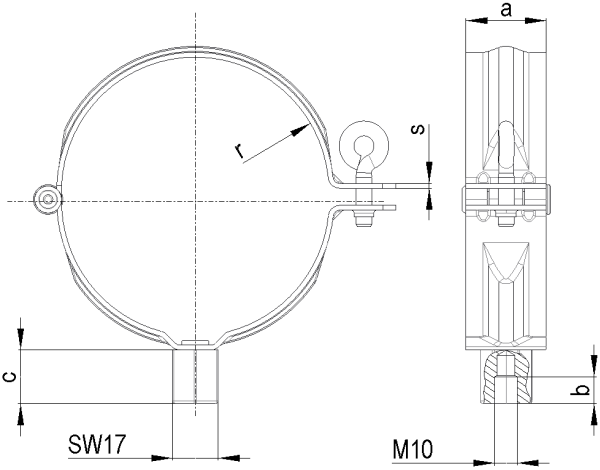


Bracket with thread socket M10 for screw - robust

Image	Product Description	Technical Details																												
	<ul style="list-style-type: none"> ■ galvanized coated steel for maximum stability and permanent corrosion prevention. ■ guaranteed uniform surface within the system ■ scratch resistant and color proof due a well structured, hard and especially tough finish ■ safe fastening of the downpipe by srew M10 ■ with fixed socket ■ consistent shape and exact fit accuracy 	<p>Sizes:</p> <p>120, 100, 80</p> <p>dimension of thread size each M10</p> <p>Materials:</p> <table border="1" style="width: 100%; border-collapse: collapse; border-style: dashed;"> <tr> <td style="width: 80%;">galvanized</td> <td style="width: 20%;">1,5 mm</td> </tr> <tr style="background-color: #e0e0e0;"> <td>galvanized coated</td> <td>1,8 mm</td> </tr> </table> <p>Measurements:</p> <table border="1" style="width: 100%; border-collapse: collapse; border-style: dashed;"> <thead> <tr> <th></th> <th>a</th> <th>b</th> <th>c</th> <th>r</th> <th>s</th> </tr> </thead> <tbody> <tr> <td>120</td> <td>29</td> <td>10,6</td> <td>14</td> <td>60</td> <td>1,55</td> </tr> <tr style="background-color: #e0e0e0;"> <td>100</td> <td>29</td> <td>10,6</td> <td>14</td> <td>50</td> <td>1,55</td> </tr> <tr> <td>80</td> <td>29</td> <td>10,6</td> <td>14</td> <td>40</td> <td>1,55</td> </tr> </tbody> </table>	galvanized	1,5 mm	galvanized coated	1,8 mm		a	b	c	r	s	120	29	10,6	14	60	1,55	100	29	10,6	14	50	1,55	80	29	10,6	14	40	1,55
galvanized	1,5 mm																													
galvanized coated	1,8 mm																													
	a	b	c	r	s																									
120	29	10,6	14	60	1,55																									
100	29	10,6	14	50	1,55																									
80	29	10,6	14	40	1,55																									
2D-Design		Material Norms																												
																														

Bracket with thread socket M10 for screw - robust

Article Number:

Size	galvanized	galvanized coated robust
120	127712	147712
100	127710	147710
80	127780	147780

Packaging data:

Size	pc./ box	pc./palette
120	25	1200
100	25	1200
80	25	1200

Text for invitation to tender:

Bracket D____ with thread socket M10, made by Zambelli or equal, professional delivery and installation.