
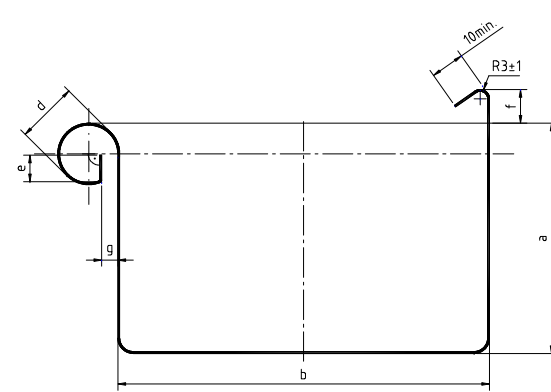


box gutter

Image	Product description	Technical details																																																											
	<ul style="list-style-type: none"> ■ consistent shape and exact fit accuracy 	<p>Available dimensions:</p> <p>500, 400, 333, 280, 250, 200</p> <p>Materials:</p> <table border="1" style="width: 100%; border-collapse: collapse;"> <tr><td>TECU® Copper</td><td style="text-align: right;">0,55</td></tr> <tr><td>VM Blank-Zinc®</td><td style="text-align: right;">0,70</td></tr> <tr><td>galvanized</td><td style="text-align: right;">0,55</td></tr> <tr><td>galvanized coated robust</td><td style="text-align: right;">0,60</td></tr> <tr><td>Uginox FTE®</td><td style="text-align: right;">0,40</td></tr> </table> <p>Measurements:</p> <table border="1" style="width: 100%; border-collapse: collapse; text-align: center;"> <thead> <tr> <th>size</th> <th>a</th> <th>b</th> <th>d</th> <th>e</th> <th>f</th> <th>g</th> </tr> </thead> <tbody> <tr> <td></td> <td>±1</td> <td>0/-1</td> <td>±1</td> <td>±1</td> <td>min</td> <td>±1</td> </tr> <tr> <td>500</td> <td>110</td> <td>200</td> <td>22</td> <td>9</td> <td>20</td> <td>6</td> </tr> <tr> <td>400</td> <td>90</td> <td>150</td> <td>22</td> <td>9</td> <td>10</td> <td>6</td> </tr> <tr> <td>333</td> <td>75</td> <td>120</td> <td>20</td> <td>9</td> <td>10</td> <td>6</td> </tr> <tr> <td>250</td> <td>55</td> <td>85</td> <td>18</td> <td>7</td> <td>10</td> <td>5</td> </tr> <tr> <td>200</td> <td>42</td> <td>70</td> <td>16</td> <td>5</td> <td>8</td> <td>5</td> </tr> </tbody> </table>	TECU® Copper	0,55	VM Blank-Zinc®	0,70	galvanized	0,55	galvanized coated robust	0,60	Uginox FTE®	0,40	size	a	b	d	e	f	g		±1	0/-1	±1	±1	min	±1	500	110	200	22	9	20	6	400	90	150	22	9	10	6	333	75	120	20	9	10	6	250	55	85	18	7	10	5	200	42	70	16	5	8	5
TECU® Copper	0,55																																																												
VM Blank-Zinc®	0,70																																																												
galvanized	0,55																																																												
galvanized coated robust	0,60																																																												
Uginox FTE®	0,40																																																												
size	a	b	d	e	f	g																																																							
	±1	0/-1	±1	±1	min	±1																																																							
500	110	200	22	9	20	6																																																							
400	90	150	22	9	10	6																																																							
333	75	120	20	9	10	6																																																							
250	55	85	18	7	10	5																																																							
200	42	70	16	5	8	5																																																							
2D-Drawing	Standards																																																												
	<table border="1" style="width: 100%; border-collapse: collapse;"> <tr><td>Copper, Copper alloy</td><td style="text-align: right;">DIN EN 1172</td></tr> <tr><td>Zinc, Zinc alloy</td><td style="text-align: right;">DIN EN 988</td></tr> </table>	Copper, Copper alloy	DIN EN 1172	Zinc, Zinc alloy	DIN EN 988																																																								
Copper, Copper alloy	DIN EN 1172																																																												
Zinc, Zinc alloy	DIN EN 988																																																												

box gutter

Article number:

size	TECU® Copper	VM Blank- Zinc®	galvanized	galvanized coated robust	Uginox FTE®
500	114250	134250	124250	144250	
400	114240	134240	124240	144240	174240
333	114233	134233	124233	144233	174233
280	114228	134228	124228	144228	174228
250	114225	134225	124225	144225	174225

Tender specification:

supply and install.....

Gutter non-bearing box shape according to DIN EN 612,

- Cut - 250 mm (8-part)

- Cut - 333 mm (6-part)

- Cut - 400 mm (5-part)

- Cut - 500 mm (4-part)

- or cut on demand mm

Gutter hook, min. size 6 x 25 mm,

Gutter hook distance according to chart 9 from the plumber norms though maximum 900 mm

and required extension element as outlets and stop ends

Brand Zambelli or equivalent

Material:

- Aluminium role blank

- galvanized steel plate

- galvanized steel plate, colour-coated according to tone of the roof coverage

- Stainless steel (Uginox, Ugitop or Roofinox)

- Titanzinc role blank according to DIN EN 988

- Copper TECU role blank according to DIN EN 1172