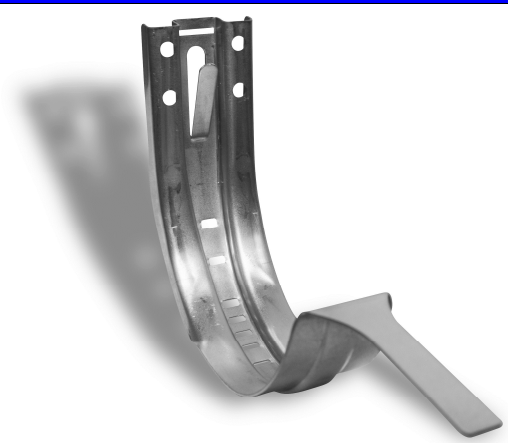
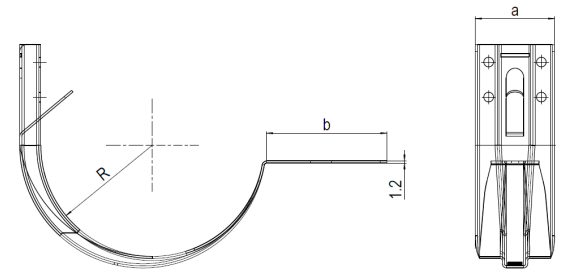


**zambelli fascia hanger**

Image	Product description	Technical details																				
	<ul style="list-style-type: none"> <li>■ perfect solution for mounting gutters at a fascia board</li> <li>■ spring/spring</li> <li>■ flat to the wall against tilting effect</li> <li>■ high-quality optical characteristic</li> <li>■ consistent shape and exact fit accuracy</li> <li>■ maximum stability due to deep stamping of the reinforcing seam</li> </ul>	<p><b>Available dimensions:</b></p> <p>333, 280, 250</p> <p><b>Materials:</b></p> <table border="1" style="width: 100%; border-collapse: collapse;"> <tr> <td style="padding: 2px;">galvanized</td> <td style="padding: 2px;">1,25</td> </tr> <tr> <td style="padding: 2px;">galvanized coated robust</td> <td style="padding: 2px;">1,25</td> </tr> </table> <p><b>Measurements:</b></p> <table border="1" style="width: 100%; border-collapse: collapse;"> <thead> <tr> <th style="padding: 2px;">size</th> <th style="padding: 2px;">a</th> <th style="padding: 2px;">b</th> <th style="padding: 2px;">R</th> </tr> </thead> <tbody> <tr> <td style="padding: 2px;">333</td> <td style="padding: 2px;">45</td> <td style="padding: 2px;">75</td> <td style="padding: 2px;">76,5</td> </tr> <tr> <td style="padding: 2px;">280</td> <td style="padding: 2px;">45</td> <td style="padding: 2px;">75</td> <td style="padding: 2px;">63,5</td> </tr> <tr> <td style="padding: 2px;">250</td> <td style="padding: 2px;">45</td> <td style="padding: 2px;">65</td> <td style="padding: 2px;">52,5</td> </tr> </tbody> </table>	galvanized	1,25	galvanized coated robust	1,25	size	a	b	R	333	45	75	76,5	280	45	75	63,5	250	45	65	52,5
galvanized	1,25																					
galvanized coated robust	1,25																					
size	a	b	R																			
333	45	75	76,5																			
280	45	75	63,5																			
250	45	65	52,5																			
<b>2D-Drawing</b>																						
	<p><b>Material standards</b></p> <table border="1" style="width: 100%; border-collapse: collapse;"> <tr> <td style="padding: 2px;">Copper, Copper alloy</td> <td style="padding: 2px;">DIN EN 1172</td> </tr> </table>	Copper, Copper alloy	DIN EN 1172																			
Copper, Copper alloy	DIN EN 1172																					

**zambelli fascia hanger**

**Article number:**

size	TECU® Copper	galvanized	galvanized coated robust
333	118630	128630	148630
280	118635	128635	148635
250	118640	128640	148640

**Packaging information:**

size	pieces per box
333	25
280	25
250	25