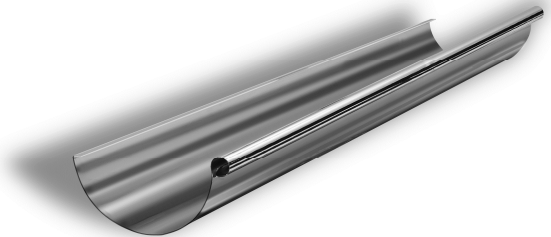
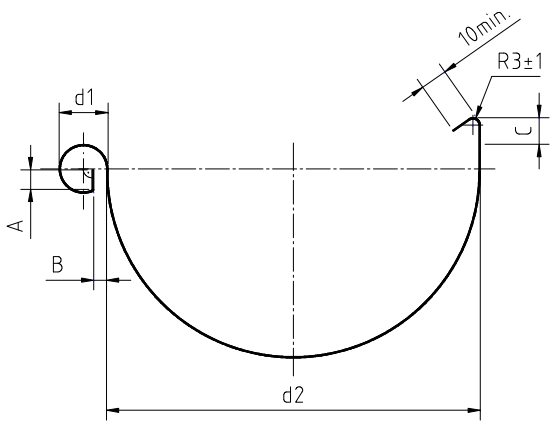


## gutter

Image	Product description	Technical details																																																								
	<ul style="list-style-type: none"> <li>■ high-quality optical characteristic</li> <li>■ consistent shape and exact fit accuracy</li> </ul>	<p><b>Available sizes:</b></p> <p>500, 400, 333, 280, 250, 200</p> <p><b>Materials:</b></p> <table border="1" style="width: 100%; border-collapse: collapse; text-align: center;"> <thead> <tr style="background-color: #cccccc;"> <th></th> <th>500</th> <th>400</th> <th>333</th> <th>280</th> <th>250</th> <th>200</th> </tr> </thead> <tbody> <tr> <td>TECU® Copper</td> <td>0,70</td> <td>0,70</td> <td>0,60</td> <td>0,60</td> <td>0,60</td> <td>0,60</td> </tr> <tr> <td>VM Blank- Zinc®</td> <td>0,80</td> <td>0,70</td> <td>0,70</td> <td>0,70</td> <td>0,65</td> <td>0,65</td> </tr> <tr> <td>VM Quartz- Zinc®</td> <td>0,80</td> <td>0,70</td> <td>0,70</td> <td>0,70</td> <td>0,65</td> <td>0,65</td> </tr> <tr> <td>galvanized</td> <td>0,70</td> <td>0,70</td> <td>0,60</td> <td>0,60</td> <td>0,60</td> <td>0,60</td> </tr> <tr> <td>galvanized coated robust</td> <td>0,70</td> <td>0,70</td> <td>0,60</td> <td>0,60</td> <td>0,60</td> <td>0,60</td> </tr> <tr> <td>Ugitop®</td> <td>0,60</td> <td>0,60</td> <td>0,50</td> <td>0,50</td> <td>0,50</td> <td>0,50</td> </tr> <tr> <td>Uginox FTE®</td> <td>0,60</td> <td>0,60</td> <td>0,50</td> <td>0,50</td> <td>0,50</td> <td>0,50</td> </tr> </tbody> </table>		500	400	333	280	250	200	TECU® Copper	0,70	0,70	0,60	0,60	0,60	0,60	VM Blank- Zinc®	0,80	0,70	0,70	0,70	0,65	0,65	VM Quartz- Zinc®	0,80	0,70	0,70	0,70	0,65	0,65	galvanized	0,70	0,70	0,60	0,60	0,60	0,60	galvanized coated robust	0,70	0,70	0,60	0,60	0,60	0,60	Ugitop®	0,60	0,60	0,50	0,50	0,50	0,50	Uginox FTE®	0,60	0,60	0,50	0,50	0,50	0,50
	500	400	333	280	250	200																																																				
TECU® Copper	0,70	0,70	0,60	0,60	0,60	0,60																																																				
VM Blank- Zinc®	0,80	0,70	0,70	0,70	0,65	0,65																																																				
VM Quartz- Zinc®	0,80	0,70	0,70	0,70	0,65	0,65																																																				
galvanized	0,70	0,70	0,60	0,60	0,60	0,60																																																				
galvanized coated robust	0,70	0,70	0,60	0,60	0,60	0,60																																																				
Ugitop®	0,60	0,60	0,50	0,50	0,50	0,50																																																				
Uginox FTE®	0,60	0,60	0,50	0,50	0,50	0,50																																																				
Material standards																																																										
<p><b>2D-Drawing</b></p> 	<table border="1" style="width: 100%; border-collapse: collapse; text-align: center;"> <tbody> <tr> <td>Copper, Copper alloy</td> <td>DIN EN 1172</td> </tr> <tr> <td>Zinc, Zinc alloy</td> <td>DIN EN 988</td> </tr> </tbody> </table>	Copper, Copper alloy	DIN EN 1172	Zinc, Zinc alloy	DIN EN 988	<p><b>Measurements:</b></p> <table border="1" style="width: 100%; border-collapse: collapse; text-align: center;"> <thead> <tr style="background-color: #cccccc;"> <th>size</th> <th>A</th> <th>B</th> <th>C</th> <th>d1</th> <th>d2</th> </tr> </thead> <tbody> <tr> <td></td> <td>±1</td> <td>±1</td> <td>min.</td> <td>±1</td> <td>+2</td> </tr> <tr> <td>500</td> <td>9</td> <td>6</td> <td>21</td> <td>22</td> <td>250</td> </tr> <tr> <td>400</td> <td>9</td> <td>6</td> <td>11</td> <td>22</td> <td>192</td> </tr> <tr> <td>333</td> <td>9</td> <td>6</td> <td>11</td> <td>20</td> <td>153</td> </tr> <tr> <td>280</td> <td>7</td> <td>6</td> <td>11</td> <td>18</td> <td>127</td> </tr> <tr> <td>250</td> <td>7</td> <td>5</td> <td>10</td> <td>18</td> <td>105</td> </tr> <tr> <td>200</td> <td>5</td> <td>5</td> <td>8</td> <td>16</td> <td>80</td> </tr> </tbody> </table>	size	A	B	C	d1	d2		±1	±1	min.	±1	+2	500	9	6	21	22	250	400	9	6	11	22	192	333	9	6	11	20	153	280	7	6	11	18	127	250	7	5	10	18	105	200	5	5	8	16	80				
Copper, Copper alloy	DIN EN 1172																																																									
Zinc, Zinc alloy	DIN EN 988																																																									
size	A	B	C	d1	d2																																																					
	±1	±1	min.	±1	+2																																																					
500	9	6	21	22	250																																																					
400	9	6	11	22	192																																																					
333	9	6	11	20	153																																																					
280	7	6	11	18	127																																																					
250	7	5	10	18	105																																																					
200	5	5	8	16	80																																																					

**gutter**

**Article number:**

size	TECU® Copper	VM Blank- Zinc®	VM Quartz- Zinc®	galvanized	galvanized coated robust	Ugitop®	Uginox FTE®
500	114150	134150		124150	144150		
400	114140	134140		124140	144140		174140
333	114133	134133	184133	124133	144133	214133	174133
280	114128	134128	184128	124128	144128	214128	174128
250	114125	134125		124125	144125		174125
200	114120	134120		124120			

**Tender specification:**

supply and install.....

Gutter non-bearing half round design according to DIN EN 612,

- Cut - 250 mm (8-part)
- Cut - 280 mm (7-part)
- Cut - 333 mm (6-part)
- Cut - 400 mm (5-part)
- Cut - 500 mm (4-part)

- or cut on demand ..... mm

Incl. gutter hook, min. size 6 x 25 mm,

Gutter hook distance according to chart 9 from the plumber norms though maximum 900 mm and required extension element as outlets and stop ends

Brand Zambelli or equivalent.....

Material:

- Aluminium role blank
- galvanized steel plate
- galvanized steel plate, colour-coated according to tone of the roof coverage
- Stainless steel (Uginox, Ugitop or Roofinox)
- Titanzinc role blank according to DIN EN 988
- Copper TECU role blank according to DIN EN 1172