
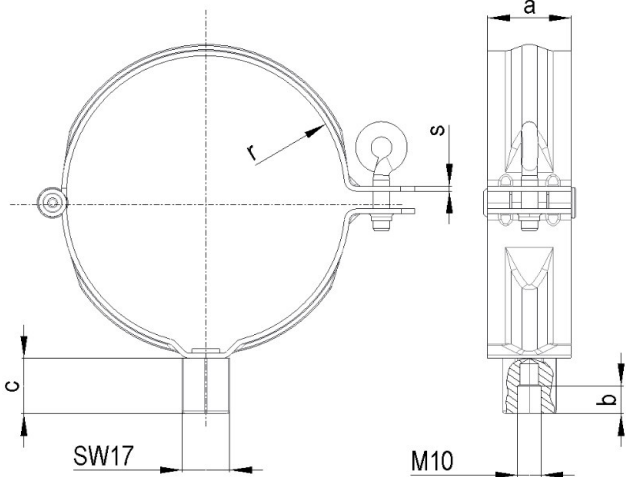


M10 Master-bracket with thread socket M10

Image	Product Description	Technical Details																																																								
	<ul style="list-style-type: none"> ■ perfect shape and homogeneous surface ■ safe fastening of the downpipe screw M10 ■ stainless steel or copper eyebolt ■ for copper: yellow chromated socket und counter nut ■ with spacer ■ with fixed socket ■ consistent shape and exact fit accuracy 	<p>Sizes:</p> <p>Ø 150, 120, 100, 87, 80, 76, 60, 50</p> <p>dimension of thread size each M10</p> <p>Materials:</p> <table border="1" style="width: 100%; border-collapse: collapse;"> <tr style="background-color: #cccccc;"> <td style="padding: 2px;">copper</td> </tr> <tr> <td style="padding: 2px;">galvanized</td> </tr> </table> <p>Measurements:</p> <table border="1" style="width: 100%; border-collapse: collapse; text-align: center;"> <thead> <tr> <th></th> <th>a</th> <th>b</th> <th>c</th> <th>r</th> <th>s</th> </tr> </thead> <tbody> <tr><td>150</td><td>23</td><td>10,6</td><td>14</td><td>75</td><td>2,6</td></tr> <tr><td>120</td><td>29</td><td>10,6</td><td>14</td><td>60</td><td>1,55</td></tr> <tr><td>100</td><td>29</td><td>10,6</td><td>14</td><td>50</td><td>1,55</td></tr> <tr><td>87</td><td>29</td><td>10,6</td><td>14</td><td>44</td><td>1,55</td></tr> <tr><td>80</td><td>29</td><td>10,6</td><td>14</td><td>40</td><td>1,55</td></tr> <tr><td>76</td><td>29</td><td>10,6</td><td>14</td><td>38</td><td>1,55</td></tr> <tr><td>60</td><td>28</td><td>10,6</td><td>14</td><td>30</td><td>1,6</td></tr> <tr><td>50</td><td>28</td><td>10,6</td><td>14</td><td>25</td><td>1,6</td></tr> </tbody> </table>	copper	galvanized		a	b	c	r	s	150	23	10,6	14	75	2,6	120	29	10,6	14	60	1,55	100	29	10,6	14	50	1,55	87	29	10,6	14	44	1,55	80	29	10,6	14	40	1,55	76	29	10,6	14	38	1,55	60	28	10,6	14	30	1,6	50	28	10,6	14	25	1,6
copper																																																										
galvanized																																																										
	a	b	c	r	s																																																					
150	23	10,6	14	75	2,6																																																					
120	29	10,6	14	60	1,55																																																					
100	29	10,6	14	50	1,55																																																					
87	29	10,6	14	44	1,55																																																					
80	29	10,6	14	40	1,55																																																					
76	29	10,6	14	38	1,55																																																					
60	28	10,6	14	30	1,6																																																					
50	28	10,6	14	25	1,6																																																					
2D-Design																																																										
	Material Norms																																																									
	<table border="1" style="width: 100%; border-collapse: collapse;"> <tr> <td style="padding: 2px;">Copper, Copper alloy</td> <td style="padding: 2px;">DIN EN 1172</td> </tr> </table>	Copper, Copper alloy	DIN EN 1172																																																							
Copper, Copper alloy	DIN EN 1172																																																									

M10 Master-bracket with thread socket M10

Article Number:

size	copper	galvanized
150 *	117715	127715
120	117712	127712
100	117710	127710
87	117787	127787
80	117780	127780
76	117776	127776
60 *	117760	127760
50 *	117750	127750

*alternative version

Packaging data:

size	pc. /box	pc. /pallet
150	25	
120	25	1200
100	25	1200
87	25	1200
80	25	1200
76	25	1200
60	25	
50	25	

Text for invitation to tender:

Bracket D___ with thread socket M10, made by Zambelli or equal, delivery and installation