
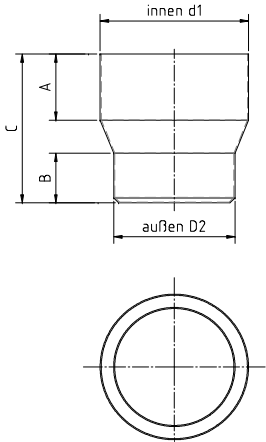


downpipe reduction

Image	Product description	Technical details																																													
	<ul style="list-style-type: none"> ■ easy reduction of the pipe diameter ■ consistent shape and fit accuracy 	<p>Available dimensions:</p> <p>120/100 100/87, 100/80, 100/76 87/76 80/60</p> <p>Materials:</p> <table border="1" style="width: 100%; border-collapse: collapse;"> <tr><td>TECU® Copper</td></tr> <tr><td>VM Blank-Zinc®</td></tr> <tr><td>Aluminium</td></tr> </table> <p>Measurements:</p> <table border="1" style="width: 100%; border-collapse: collapse; text-align: center;"> <thead> <tr> <th>size</th> <th>A</th> <th>B</th> <th>C</th> <th>inside d1</th> <th>outside d2</th> </tr> </thead> <tbody> <tr><td>120/100</td><td>28</td><td>34</td><td>82</td><td>120+1</td><td>97</td></tr> <tr><td>100/87</td><td>28</td><td>34</td><td>72</td><td>100+1</td><td>85</td></tr> <tr><td>100/80</td><td>28</td><td>32</td><td>76</td><td>100+1</td><td>78</td></tr> <tr><td>100/76</td><td>28</td><td>36</td><td>84</td><td>100+1</td><td>74</td></tr> <tr><td>87/76</td><td>40</td><td>30</td><td>89</td><td>87+1</td><td>72</td></tr> <tr><td>80/60</td><td>28</td><td>32</td><td>84</td><td>80+1</td><td>57</td></tr> </tbody> </table>	TECU® Copper	VM Blank-Zinc®	Aluminium	size	A	B	C	inside d1	outside d2	120/100	28	34	82	120+1	97	100/87	28	34	72	100+1	85	100/80	28	32	76	100+1	78	100/76	28	36	84	100+1	74	87/76	40	30	89	87+1	72	80/60	28	32	84	80+1	57
TECU® Copper																																															
VM Blank-Zinc®																																															
Aluminium																																															
size	A	B	C	inside d1	outside d2																																										
120/100	28	34	82	120+1	97																																										
100/87	28	34	72	100+1	85																																										
100/80	28	32	76	100+1	78																																										
100/76	28	36	84	100+1	74																																										
87/76	40	30	89	87+1	72																																										
80/60	28	32	84	80+1	57																																										
2D-Drawing	Material standards																																														
	<table border="1" style="width: 100%; border-collapse: collapse;"> <tr> <td>Copper, Copper alloy</td> <td>DIN EN 1172</td> </tr> <tr> <td>Zinc, Zinc alloy</td> <td>DIN EN 988</td> </tr> </table>	Copper, Copper alloy	DIN EN 1172	Zinc, Zinc alloy	DIN EN 988																																										
Copper, Copper alloy	DIN EN 1172																																														
Zinc, Zinc alloy	DIN EN 988																																														

downpipe reduction

Article number:

size	TECU® Copper	VM Blank- Zinc®	Aluminium
120/100	118100	138100	158100
100/87	118105	138105	158105
100/80	118110	138110	158110
100/76	118115	138115	158115
87/76	118125	138125	158125
80/60	118135	138135	158135

Packaging information:

size	pieces per box
120/100	10
100/87	10
100/80	10
100/76	10
87/76	10
80/60	10