
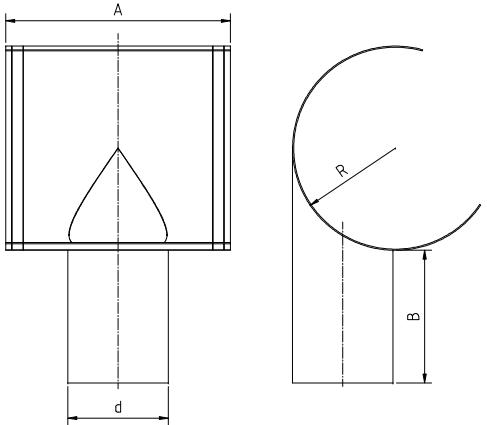


**inclined outlet**

Image	Product description	Technical details																														
	<ul style="list-style-type: none"> <li>■ variable incline</li> <li>■ cylindrical exit</li> <li>■ mountable for façade side from 5 degrees down-grade</li> <li>■ mountable to eaves side from a minimum down-grade of 23 degrees</li> <li>■ fast and easy installation</li> <li>■ high-quality optical characteristic</li> <li>■ consistent shape and exact fit accuracy</li> </ul>	<p><b>Available dimensions:</b></p> <p>400/120                      333/100                      280/80</p> <p><b>Materials:</b></p> <table border="1" style="width: 100%; border-collapse: collapse;"> <tr><td>TECU® Copper</td><td style="text-align: right;">0,6</td></tr> <tr><td>Titan Zink</td><td style="text-align: right;">0,7</td></tr> <tr><td>galvanized</td><td style="text-align: right;">0,6</td></tr> <tr><td>galvanized coated robust</td><td style="text-align: right;">0,65</td></tr> <tr><td>Uginox FTE®</td><td style="text-align: right;">0,5</td></tr> </table> <p><b>Measurements:</b></p> <table border="1" style="width: 100%; border-collapse: collapse;"> <thead> <tr> <th>size</th> <th>A</th> <th>B</th> <th>R</th> <th>d</th> </tr> </thead> <tbody> <tr> <td>400/120</td> <td style="text-align: center;">190</td> <td style="text-align: center;">100</td> <td style="text-align: center;">96</td> <td style="text-align: center;">120</td> </tr> <tr> <td>333/100</td> <td style="text-align: center;">190</td> <td style="text-align: center;">103</td> <td style="text-align: center;">76,5</td> <td style="text-align: center;">100</td> </tr> <tr> <td>280/80</td> <td style="text-align: center;">190</td> <td style="text-align: center;">103</td> <td style="text-align: center;">63,5</td> <td style="text-align: center;">80</td> </tr> </tbody> </table>	TECU® Copper	0,6	Titan Zink	0,7	galvanized	0,6	galvanized coated robust	0,65	Uginox FTE®	0,5	size	A	B	R	d	400/120	190	100	96	120	333/100	190	103	76,5	100	280/80	190	103	63,5	80
TECU® Copper	0,6																															
Titan Zink	0,7																															
galvanized	0,6																															
galvanized coated robust	0,65																															
Uginox FTE®	0,5																															
size	A	B	R	d																												
400/120	190	100	96	120																												
333/100	190	103	76,5	100																												
280/80	190	103	63,5	80																												
2D-Drawing																																
	<table border="1" style="width: 100%; border-collapse: collapse;"> <thead> <tr style="background-color: #0000FF; color: white;"> <th colspan="2">Standards</th> </tr> </thead> <tbody> <tr> <td>Copper, Copper alloy</td> <td>DIN EN 1172</td> </tr> <tr> <td>Zinc, Zinc alloy</td> <td>DIN EN 988</td> </tr> </tbody> </table>	Standards		Copper, Copper alloy	DIN EN 1172	Zinc, Zinc alloy	DIN EN 988																									
Standards																																
Copper, Copper alloy	DIN EN 1172																															
Zinc, Zinc alloy	DIN EN 988																															

**inclined outlet**

**Article number:**

size	TECU® Copper	Titan Zinc	galvanized	galvanized coated robust	Uginox FTE®
400/120	111405	131405	121405	141405	171405
333/100	111410	131410	121410	141410	171410
280/80	111415	131415	121415	141415	171415

**Packaging information:**

size	pieces per box
400/120	8
333/100	8
280/80	8

**Tender description**

supply and install.....  
 Inclined outlet, variable incline,  
 cylindrical exit, exact fit accuracy  
 Brand Zambelli or equivalent.