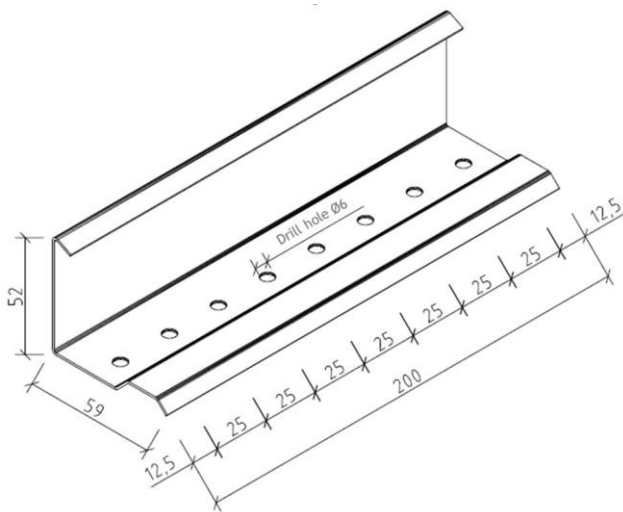


PRODUCT DATASHEET

## FIXED POINT CLIP RIB-ROOF 465

PRODUCT ILLUSTRATION:



PRODUCT DESCRIPTION:

- execution of fixed points of RIB-ROOF 465 profiled sheets acc. to EN 14782 (Z-14.1-345 / Z-14.1-346 valid until 01.02.2021)

ACCESSORIES:

- fixing screws

TECHNICAL DETAILS:

Steel sliding clip 350GD acc. to EN 10346	Clip height h (mm)	Length (mm)	Material thickness (mm)	Weight (kg/Clip)	Packaging unit	Material, Corrosion protection acc. to EN 55634
Fixed point clip	52	200	1.00	0.220	1	Aluminium zinc coating AZ185/ZM