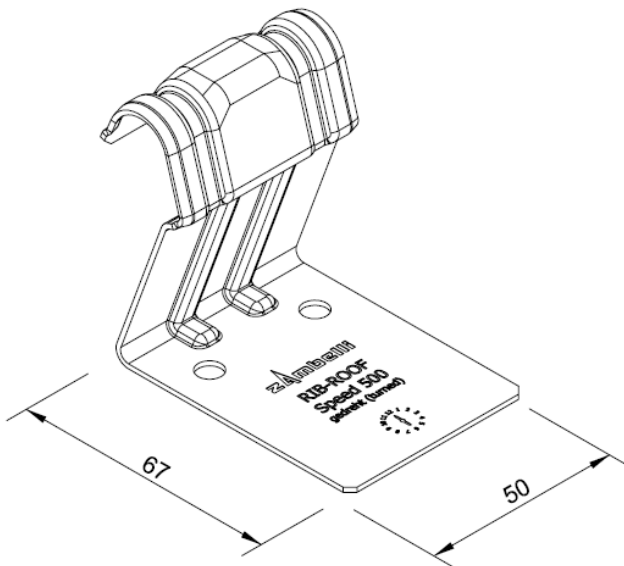


PRODUCT DATASHEET

TURNED CLIP RIB-ROOF SPEED 500

PRODUCT ILLUSTRATION:



PRODUCT DESCRIPTION:

- slidable fastening of RIB-ROOF Speed 500 profiled sheets acc. to ETA-18/0034/0035

ACCESSORIES:

- fixing screws

TECHNICAL DETAILS:

Steel sliding clip 350GD acc. to EN 10346	Clip height h (mm)	Length (mm)	Material thickness (mm)	Weight (kg/Clip)	Packaging unit	Material, Corrosion protection acc. to EN 55634
Turned Clip	65	50	1.30	0.080	25	Aluminium zinc coating AZ185/ZM310