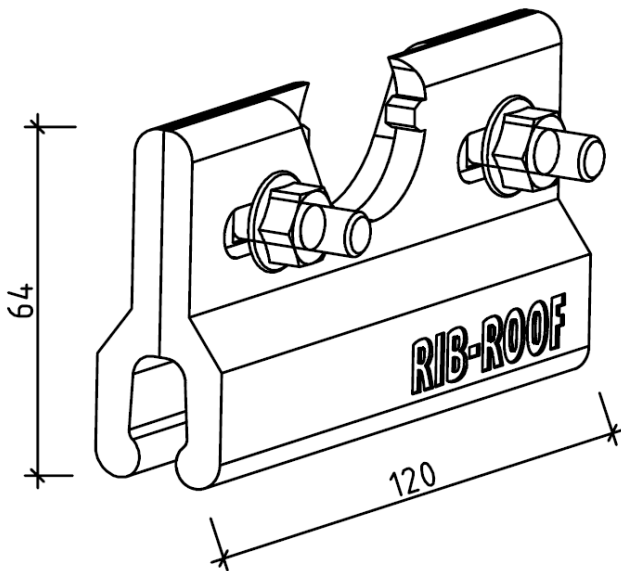


PRODUCT DATASHEET

SNOW GUARD BRACKET RIB-ROOF 465

PRODUCT ILLUSTRATION:



PRODUCT DESCRIPTION:

- Brackets for penetration-free fixing on the RIB-ROOF 465 profiled sheet seam
- Characteristic load bearing capacity accord. to general technical authorisation Z-14.4-774

ACCESSORIES:

- Solar pipe with groove, ice stopper

TECHNICAL DETAILS:

	Height h (mm)	Length (mm)	Material thickness (mm)	Weight (kg/unit)	Packaging unit (units)	Material aluminium, alloy
Solar pipe bracket	64	120	4.00 bis 6.00	0.250	1	6063 T66, AlMgSi 0.5 F25