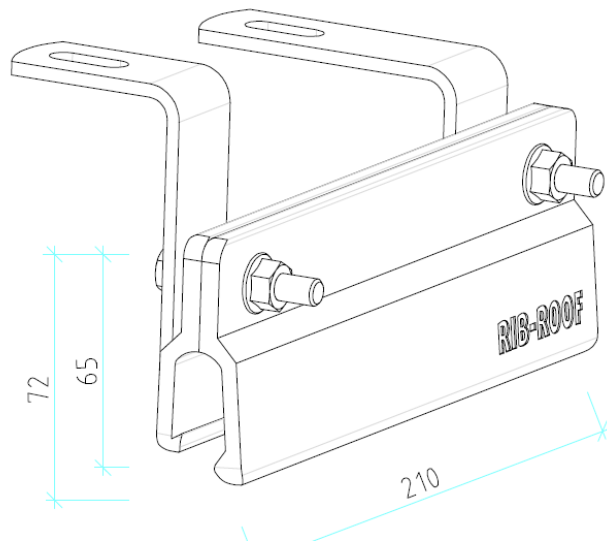


PRODUCT DATASHEET

TREAD SUPPORT RIB-ROOF SPEED 500

PRODUCT ILLUSTRATION:



PRODUCT DESCRIPTION:

- Brackets for penetration-free fixing on the RIB-ROOF Speed 500 profiled sheet seam
- Characteristic load bearing capacity accord. to general technical authorisation Z-14.4-774
- Adjustable from 0° to 15° roof pitch

ACCESSORIES:

- Walkways, treads
- Tapered angle brackets for roof pitch > 15°

TECHNICAL DETAILS:

	Height h (mm)	Length (mm)	Material thickness (mm)	Weight (kg/unit)	Packaging unit (unit)	Material Aluminium, Alloy
Tread support	72	210	5.00 to 6.00	0.656	1	6063 T66, AlMgSi 0.5 F25