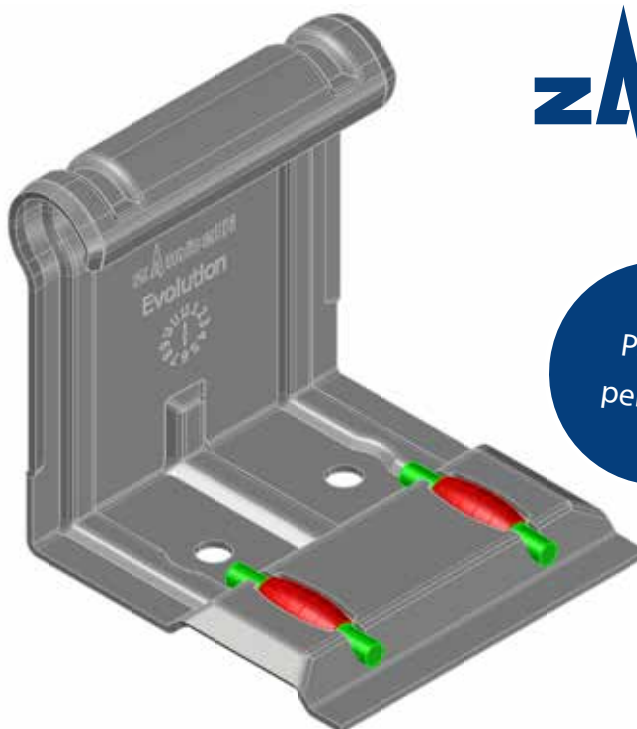


ROLLCLIP EVOLUTION

zambelli



Patent
pending

The new rollclip from Zambelli is suitable for the RIB-ROOF Evolution system and can be optionally used to complement the standard clip.

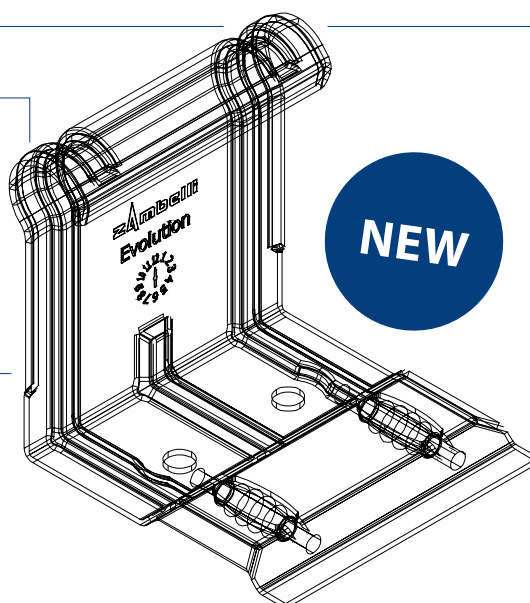
Thanks to its structural properties, the rollclip meets the highest requirements in terms of corrosion and sound insulation as well as in case of an increased load bearing capacity.

YOUR BENEFITS

- ▶ **Increased load bearing capacity**
Optimal force dissipation via roller bearing system, e.g. for increased roof loads such as snow, green and solar roof systems
- ▶ **Exact adjustment**
Geometric compensation in case of height fluctuations of the roof subsurface, e.g. fastening to eaves plank
- ▶ **Optimal sound insulation**
Reduction of cracking noises, e.g. for application of acoustic roofs in residential buildings
- ▶ **Highest corrosion protection**
With stainless steel, e.g. for such applications as green roofs or swimming pool facilities

TECHNICAL DETAILS

- ▶ Materials made of corrosion-protected steel and stainless steel
- ▶ Clip width 70 mm
- ▶ Integrated double roller bearing in the retaining foot



For more information please visit

www.zambelli.com

Zambelli
RIB-ROOF GmbH & Co. KG
Tel. +49 9931 89590-0
Mail rib-roof@zambelli.com

EINFACH
MACHEN.
AUS
METALL.